



WWW.BARRYIND.COM

RP1005ZZ-XXXXWN-YY

CHIP RESISTOR

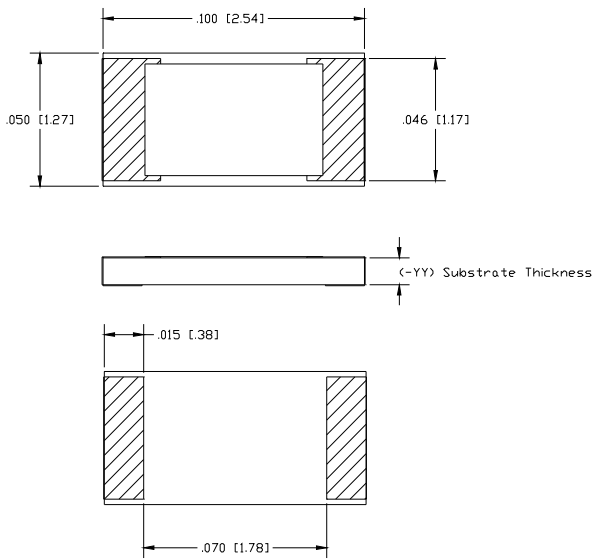
Features:

- ◆ BeO, Alumina & Aluminum Nitride Material
- ◆ Wrap Around

General Description:

The RP1005ZZ-XXXXWN-YY is a 50 ohm standard wrap around style chip resistor (other values available). Its compact size is ideal for miniature electronic components.

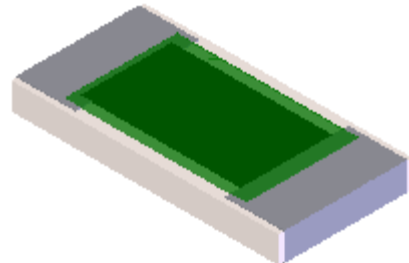
* See below for ordering options



Dimensions in inches [mm]
Tolerance $\pm .005$ [0.127]
unless otherwise stated

Temperature Coefficient:

$\pm 250\text{PPM}/^\circ\text{C}$ from -55°C to $+150^\circ\text{C}$
(Standard)



*** R P 1005 ZZ - XXXX W N - YY**

Resistor
Wrap around

Size

Ohms

Termination Material and Finish

Thickness and Material

(N)ormal Inspection

Tolerance

DERATING CURVE:

0.5.....R500	Thickness and Material	-91 - .015" Alumina	.50 Watts
11R00		-96 - .015" BeO	1 Watt
10.....10R0		-2Q - .015" ALN	1 Watt
50.....50R0			
100...1000			
150...1500			
1K.....1001			

F - 1%
G - 2%
J - 5%
K - 10%

BA - available on Alumina:
Palladium Silver, Epoxy Mount, RoHS Compliant

CB - available on Alumina, BeO and ALN:
Tin Lead over Nickel over Silver, Solder Mount, NOT RoHS

CT - available on Alumina, BeO and ALN:
Matte Tin over Nickel over Silver, Solder Mount, RoHS Compliant

GA - available on Alumina:
Gold, Epoxy Mount, Wire Bond, RoHS Compliant

JA - available on BeO & ALN:
Gold over Platinum Gold, Epoxy Mount, Wire Bond, RoHS Compliant

DERATING CURVE:

Barry Industries reserves the right to change part number and or process without notification.

Barry Industries, Inc., 60 Walton St., Attleboro, MA 02703 T: 508-226-3350 F: 508-226-3317 E-mail: ABSales@Vishay.com
Barry Industries maintains an ISO 9001 Certified Quality Management System

Origination Date	Revision Date	Rev.
05/07/07	02/12/09	B